

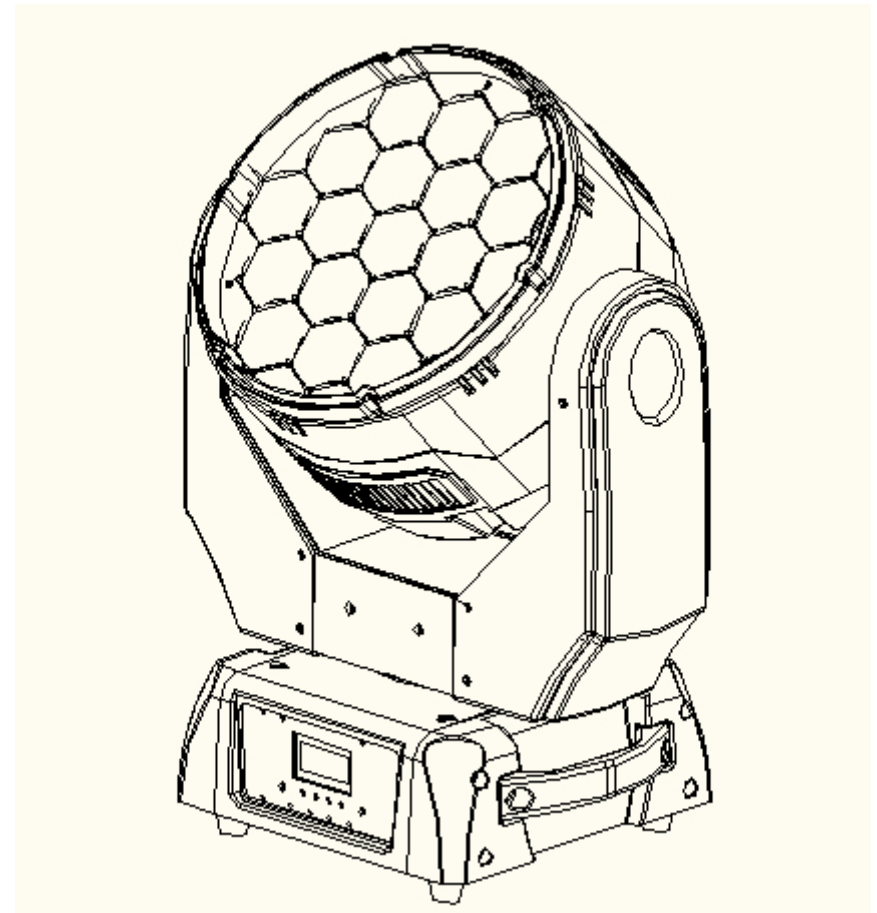
ArtFox Lighting

LED Beam Wash 19E

6. Fixture Cleaning

The cleaning of internal and external optical lenses and/or mirrors must be carried out periodically to optimize light output. Cleaning frequency depends on the environment in which the fixture operates: damp, smoky or particularly dirty surrounding can cause greater accumulation of dirt on the unit's optics.

- **Clean with soft cloth using normal glass cleaning fluid.**
- **Always dry the parts carefully.**
- **Clean the external optics at least every 20 days. Clean the internal optics at least every 30/60 days.**



User manual

Please read the instructions carefully before use

TABLE OF CONTENTS

1. Safety Instructions.....	2
2. Technical Specifications.....	4
3. How To Control The Unit.....	6
4. shape.....	13
5. Trouble shooting	15
6. Fixture Cleaning	16

statement

The product has well capability and intact packing when leave factory. All of the user should comply with warning item and manual, any misuse cause of the damages are not included in our guarantee, and also can not be responsible for any malfunction & problem owing to ignore the manual.

1. Safety Instructions

Please keep this User Guide for future consultation. If you sell the unit to another user, be sure that they also receive this instruction booklet.

- ☒ Unpack and check carefully there is no transportation damage before using the unit.
- ☒ Before operating, ensure that the voltage and frequency of power supply match the power requirements of the unit.
- ☒ It's important to ground the yellow/green conductor to earth in order to avoid electric shock.

5. Trouble shooting

Following are a few common problems that may occur during operation. Here are some suggestions for easy troubleshooting:

A. The unit does not work, no light and the fan does not work

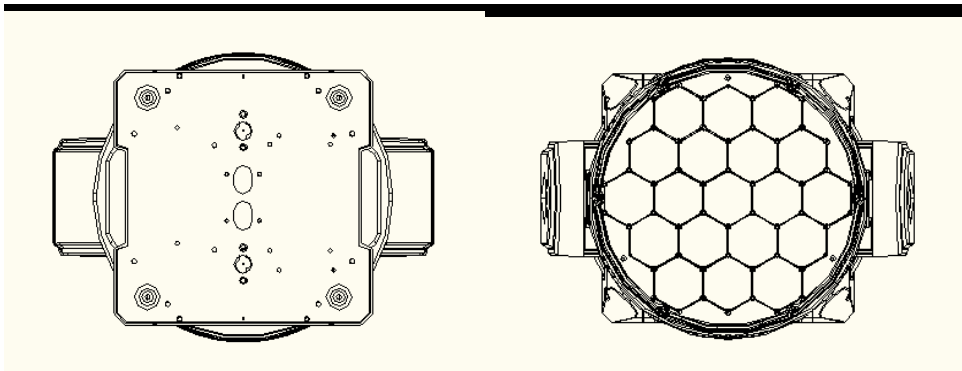
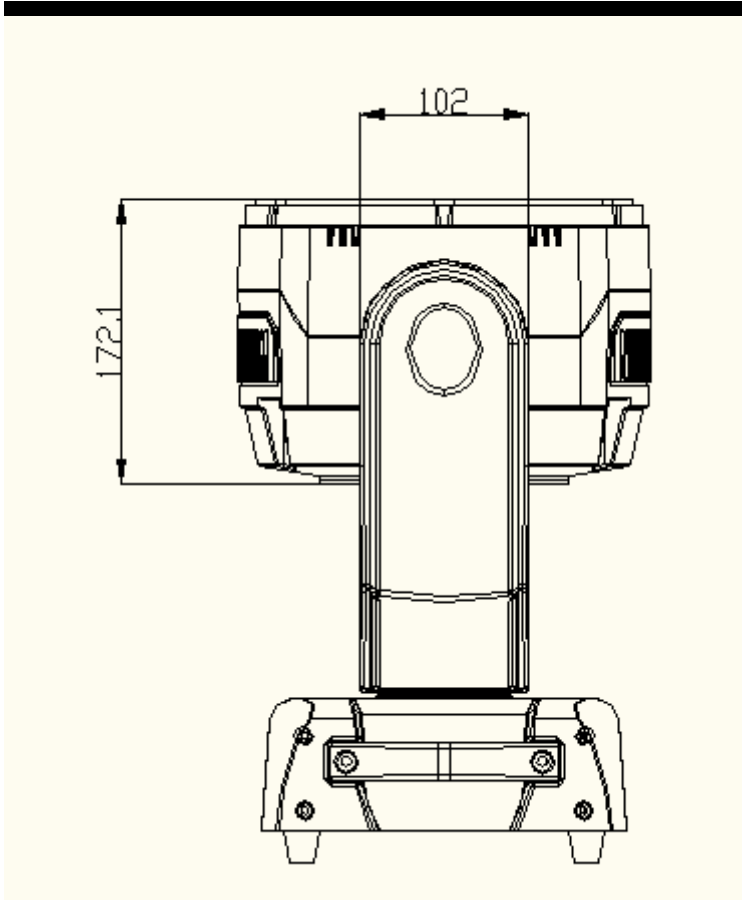
1. Check the connection of power and main fuse.
2. Measure the mains voltage on the main connector.
3. Check the power on LED.

B. Not responding to DMX controller

1. DMX LED should be on. If not, check DMX connectors, cables to see if link properly.
2. If the DMX LED is on and no response to the channel, check the address settings and DMX polarity.
3. If you have intermittent DMX signal problems, check the pins on connectors or on PCB of the unit or the previous one.
4. Try to use another DMX controller.
5. Check if the DMX cables run near or run alongside to high voltage cables that may cause damage or interference to DMX interface circuit.

C. One of the channels is not working well

1. The stepper motor might be damaged or the cable connected to the PCB is broken.
2. The motor's drive IC on the PCB might be out of condition.



- ☒ The unit is for indoor use only. Use only in a dry location.
- ☒ The unit must be installed in a location with adequate ventilation, at least 50cm from adjacent surfaces. Be sure that no ventilation slots are blocked.
- ☒ Disconnect main power before replacement or servicing.

- ☒ Make sure there are no flammable materials close to the unit while operating as it is fire hazard.
- ☒ Use safety cable when fixes this unit. DO NOT handle the unit by taking its head only, but always by taking its base.

- ☒ Maximum ambient temperature is $T_a: 40^{\circ}\text{C}$. DO NOT operate it where the temperature is higher than this Unit surface temperature may reach up to 85°C . DO NOT touch the housing bare-hand during its operation. Turn off the power and allow about 15 minutes for the unit to cool down before replacing or serving.

- ☒ In the event of serious operating problem, stop using the unit immediately. Never try to repair the unit by yourself. Repairs carried out by unskilled people can lead to damage or malfunction. Please contact the nearest authorized technical assistance center. Always use the same type spare parts.

- ☒ DO NOT touch any wire during operation as high voltage might be causing electric shock.

- Warning:**
- ☒ To prevent or reduce the risk of electrical shock or fire, do not expose the unit to rain or moisture.
- ☒ DO NOT open the unit within five minutes after switching off.

- ☒ The housing, the lenses, or the ultraviolet filter must be replaced if they are visibly damaged.

Caution:

There are no user serviceable parts inside the unit. DO NOT open the housing or attempt any repairs yourself. In the unlikely event your unit may require service, please contact your nearest dealer.

Installation:

The unit should be mounted via its screw holes on the bracket. Always ensure that the unit is firmly fixed to avoid vibration and slipping while operating. And make sure that the structure to which you are attaching the unit is secure and is able to support a weight of 10 times of the unit's weight. Also always use a safety cable that can hold 12 times of the weight of the unit when installing the fixture.

The equipment must be fixed by professionals. And it must be fixed at a place where is out of the touch of people and has no one pass by or under it.

2. Technical Specifications

Light Sources: 19 x 15W 4in1 OSRAM RGBW LED

Beam Angle: 7°~ 60°

Power Consumption: 300W

Power Voltage: AC 100-240V, 50/60Hz

Dimension: 33*23*37 cm

Packing Dimension: 410x330x490mm

Net Weight: 10Kgs

Gross Weight: 12Kgs

Control

DMX Channel: 20/28 Channel

Control Modes: DMX,

Software Upgrade: Firmware update via DMX link

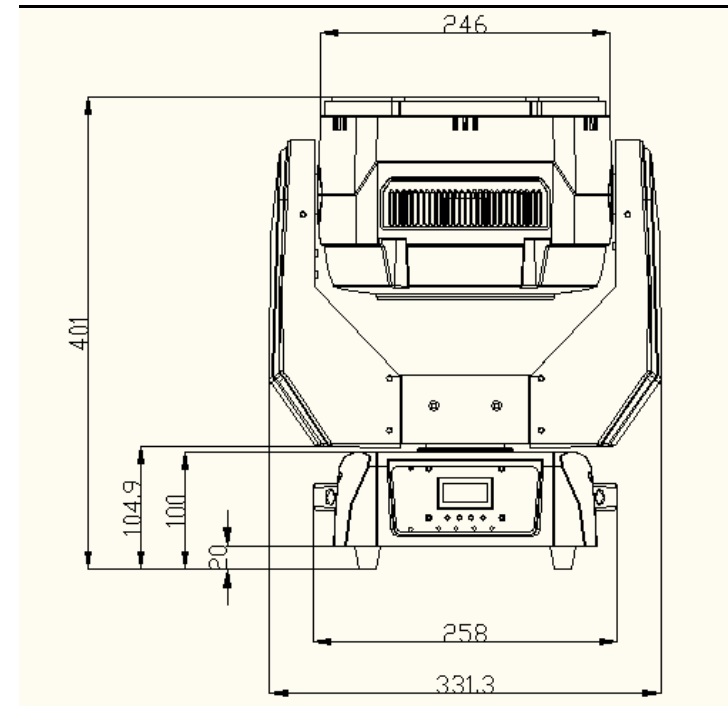
Pan/Tilt

Pan/Tilt: 540°/ 270°

Pan/Tilt Resolution: 16 bit

then the scene has no effect, R, G, B, W four Color Presets priority channel than the channel.

4. shape



		175-190	Chase 11
		191-206	Chase 12
		207-222	Chase 13
		223-238	Chase 14
		239-255	Chase 15
18	26		<u>Chase Speed:</u>
		0-125	Fast to Slow Backward
		126-130	Stop(Speed=0)
		131-255	Slow to Fast Forward
19	27		<u>Chase Fade:</u>
		0-255	Fade Chase
20	28		<u>Lamp on/off, reset, internal programs:</u>
		0-79	Normal
		80-99	All motor reset
		100-119	Internal program 1 (secne1~8 of EEPROM)
		120-139	Internal program 2 (secne9~16 of EEPROM)
		140-159	Internal program 3 (secne17~24 of EEPROM)
		160-179	Internal program 4 (secne25~32 of EEPROM)
		180-199	Internal program 5 (secne33~40 of EEPROM)
		200-219	Internal program 6 (secne41~48 of EEPROM)
		220-239	Internal program 7 (secne49~56 of EEPROM)
		240-255	Music Control (secne of Program 1)

Note: Color Chase Patterns scene, G, B, W and Color Presets four channels is determined by the channel in front of R, to note that if these channels are not selected

Construction

Display: LCD Display

Data In/Out socket: 3-pin & 5-pin XLR sockets

Power Socket: Powercon in/out

Protection Rating: IP20

Features

Motorized liner zoom system, zoom range: 7°~60°

Outstanding color macro effect

Dimmer: 0~100% smooth dimming

Variable strobe effects

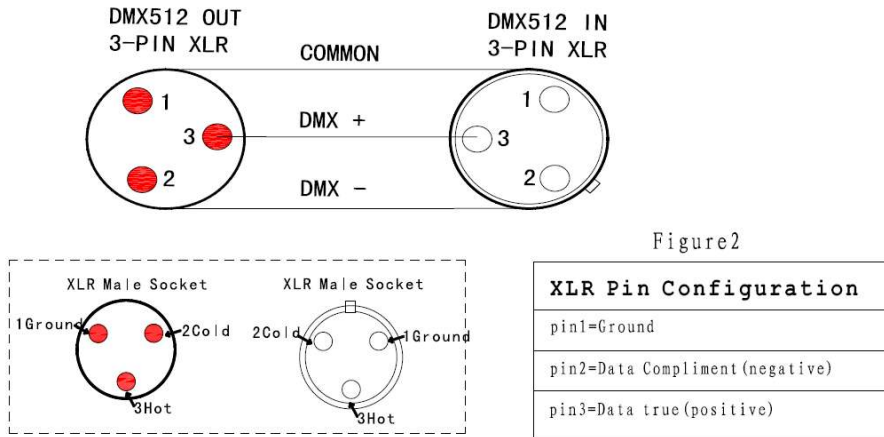
Fast, quiet operation and flicker free

The lumen details like below:

10°		2m	4m	6m	8m	10m
R	lux	665	170	71	48	30
G	lux	1595	475	210	123	86
B	lux	152	43	19	14	8.1
W	lux	620	180	80	47	33
RGBW	lux	3050	840	370	219	152

3. How To Control The Unit

The DMX512 is widely used in intelligent lighting control, with a DMX 512 controller. connect several lights together, dmx in and dmx out, 3 pin XLR connectors: Pin 1: GND, Pin 2: Negative signal (-), Pin 3: Positive signal (+)



Display:

- MENU To select the programming functions
- DOWN To go backward in the selected functions
- uP To go forward in the selected functions
- ENTER To confirm the selected functions

Set DMX Address Code

- 1 Press "Menu" to "Set DMX Address", and press "ENTER" keys to enter into
- 2 Show "Set DMX Address DMX Address:001", Press the "UP and DOWN" keys to amended
- 3 Press "ENTER" keys to save and Exit, Press the "MENU" Keys does not save and Exit

		75-79	Salmon
		80-84	Turquoise
		85-89	Light Green
		90-94	Steel Blue
		95-99	Orange
		100-104	Straw
		105-109	Pale Lavander
		110-114	Pink
		115-119	RED/WHITE
		120-124	GREEN/RED
		125-129	BLUE/RED
		130-134	WHITE/RED
		135-139	WHITE/PINK
		140-144	WHITE/TURQUOISE
		145-149	SMALL RED/WHITE
		150-255	Reserved
16	24		Color Presets Dimmer:
		0-255	Dimmer 100 to 0%
17	25		Chase Patterns:
		1--14	Led trun off
		15-30	Chase 1
		31-46	Chase 2
		47-62	Chase 3
		63-78	Chase 4
		79-94	Chase 5
		95-110	Chase 6
		111-126	Chase 7
		127-142	Chase 8
		143-158	Chase 9
		159-174	Chase 10

14	22		Rainbow:
		0-4	No function
		5-29	R
		30-54	G
		55-79	B
		80-104	W
		105-129	Rainbow colours
		130-154	Rainbow colours
		155-174	Rainbow colours
		175-179	Rainbow colours
		180-184	Rainbow colours
		185-189	Rainbow colours
		190-210	Rainbow colours
211-255	Crossfading colours from slow to fast		
15	23		Color Presets:
		0-4	No function
		5--9	White1
		10--14	White2
		15-19	White3
		20-24	White4
		25-29	White5
		30-34	White6
		35-39	Red
		40-44	Green
		45-49	Blue
		50-54	Natural White
		55-59	Full White
		60-64	Yellow
65-69	Magenta		
70-74	Cyan		

function	Address	Address001~XXX		Change address
	CH Value	PAN.....		Show each channel value
inform	Set to Slave	Slave		Slave receive position select
	Auto program	Master-Auto / Alone-Auto		auto run mode
Person	Music control	Master-Music / Alone-Music		Sound auto run
	Temp Inf	Head Temperature	XXX °C/°F	current temperture
Reset	Soft Inf	V1.0.....		software version
	Status settings	Pan Reverse	ON/OFF	Pan scan opposition title scan opposition scan angle select scan the Measuring dish play a part or not scan mode select
		Tilt Rev	ON/OFF	
		P-Degree	540/360	
		Feedback	ON/OFF	
		Movement Speed	Speed 1~ 2	
		Mic Sensitivity	0~99%	mic sensitivity
	Fans Control	Auto Speed High Speed		
Adjust	Display Settings	Shut off		show close delay time
	Reset Default	ON/OFF		Re-load all delivery parameter
Reset	Reset All			Reset the light
	Test Channel	PAN...		Channel test
Adjust	:			:
	Stati Control	PAN	PAN=XXX	Manually test channels

Calibrate Values	Password	Password=XXX	channels' data calibrate code :050
	PAN	PAN=XXX	PAN channel data calibrate
	TILT	TILT	TILT channel data calibrate

DMX channel's functions and values (19/31 DMX channels):

Mode/Channel		Value	Function
Standard	Zone		
1	1		<u>PAN Movement 8bit :</u>
		0-255	Pan Movement
2	2		<u>Pan Fine 16bit</u>
		0-255	Fine control of Pan movement
3	3		<u>TILT Movement 8bit :</u>
		0-255	Tilt Movement
4	4		<u>Tilt Fine 16bit</u>
		0-255	Fine control of Tilt movement
5	5		<u>Speed Pan/Tilt movement:</u>
		0-225	max to min speed
		226-255	no function
6	6		<u>Strobe</u>
		0-255	
7	7		<u>Dimmer intensity:</u>
		0-255	Intensity 0 to 100%
8	8	0-255	<u>Dimming Mode</u>
9	9	0-255	<u>Zoom :</u> Zoom adjustment
10			<u>Red LED -all arrays :</u>
		0-255	Red (0-Black , 255-100% Red)

11			<u>Green LED-all arrays :</u>
		0-255	Green (0-Black , 255-100% Green)
12			<u>Blue LED -all arrays :</u>
		0-255	Blue (0-Black , 255-100% Blue)
13			<u>White LED -all arrays :</u>
		0-255	White (0-Black , 255-100% White)
10			<u>Red LED -array 1 :</u>
		0-255	Red (0-Black , 255-100% Red)
11			<u>Green LED-array 1 :</u>
		0-255	Green (0-Black , 255-100% Green)
12			<u>Blue LED -array 1 :</u>
		0-255	Blue (0-Black , 255-100% Blue)
13			<u>White LED -array 1 :</u>
		0-255	White (0-Black , 255-100% White)
14			<u>Red LED -array 2 :</u>
		0-255	Red (0-Black , 255-100% Red)
15			<u>Green LED-array 2 :</u>
		0-255	Green (0-Black , 255-100% Green)
16			<u>Blue LED -array 2 :</u>
		0-255	Blue (0-Black , 255-100% Blue)
17			<u>White LED -array 2 :</u>
		0-255	White (0-Black , 255-100% White)
18			<u>Red LED -array 3 :</u>
		0-255	Red (0-Black , 255-100% Red)
19			<u>Green LED-array 3 :</u>
		0-255	Green (0-Black , 255-100% Green)
20			<u>Blue LED -array 3 :</u>
		0-255	Blue (0-Black , 255-100% Blue)
21			<u>White LED -array 3:</u>
		0-255	White (0-Black , 255-100% White)