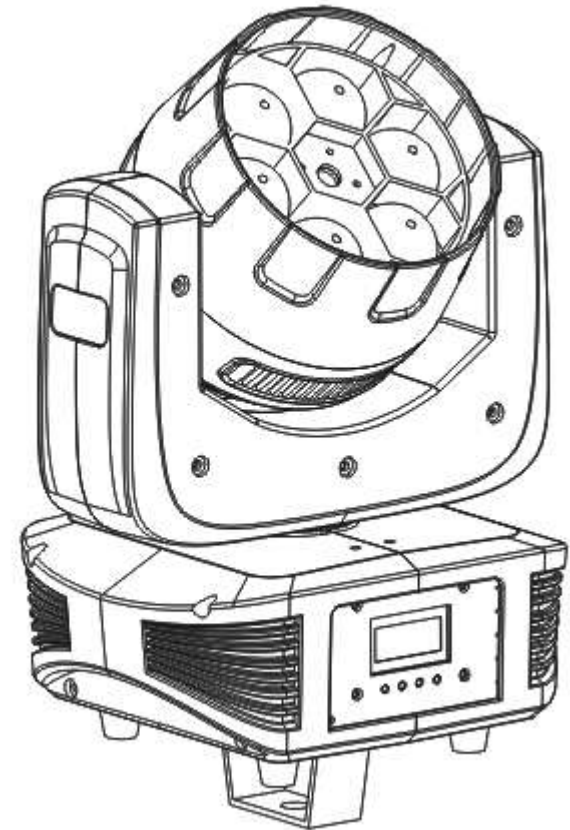


Ostar Eye K6

Beam and Kaleido Effects



User manual

Please read the instructions carefully before use

TABLE OF CONTENTS

1. Safety Instructions	2
2. Technical Specifications.....	4
3. How To Control The Unit.....	5
4. shape.....	9
5. Trouble shooting	9
6. Fixture Cleaning	10

statement

The product has well capability and intact packing when leave factory. All of the user should comply with warning item and manual, any misuse cause of the damages are not included in our guarantee, and also can not be responsible for any malfunction & problem owing to ignore the manual.

1. Safety Instructions

Please keep this User Guide for future consultation. If you sell the unit to another user, be sure that they also receive this instruction booklet.

- ☒ Unpack and check carefully there is no transportation damage before using the unit.
- ☒ Before operating, ensure that the voltage and frequency of power supply match the power requirements of the unit.
- ☒ It's important to ground the yellow/green conductor to earth in order to avoid electric shock.

- Clean with soft cloth using normal glass cleaning fluid.
- Always dry the parts carefully.
- Clean the external optics at least every 20 days. Clean the internal optics at least every 30/60 days.

3. Check the power on LED.

B. Not responding to DMX controller

1. DMX LED should be on. If not, check DMX connectors, cables to see if link properly.
2. If the DMX LED is on and no response to the channel, check the address settings and DMX polarity.
3. If you have intermittent DMX signal problems, check the pins on connectors or on PCB of the unit or the previous one.
4. Try to use another DMX controller.
5. Check if the DMX cables run near or run alongside to high voltage cables that may cause damage or interference to DMX interface circuit.

C. One of the channels is not working well

1. The stepper motor might be damaged or the cable connected to the PCB is broken.
2. The motor's drive IC on the PCB might be out of condition.

6. Fixture Cleaning

The cleaning of internal and external optical lenses and/or mirrors must be carried out periodically to optimize light output. Cleaning frequency depends on the environment in which the fixture operates: damp, smoky or particularly dirty surrounding can cause greater accumulation of dirt on the unit's optics.

- ☒ The unit is for indoor use only. Use only in a dry location.
- ☒ The unit must be installed in a location with adequate ventilation, at least 50cm from adjacent surfaces. Be sure that no ventilation slots are blocked.
- ☒ Disconnect main power before replacement or servicing.
- ☒ Make sure there are no flammable materials close to the unit while operating as it is fire hazard.
- ☒ Use safety cable when fixes this unit. DO NOT handle the unit by taking its head only, but always by taking its base.
- ☒ Maximum ambient temperature is Ta: 40°C. DO NOT operate it where the temperature is higher than this Unit surface temperature may reach up to 85°C. DO NOT touch the housing bare-hand during its operation. Turn off the power and allow about 15 minutes for the unit to cool down before replacing or serving.
- ☒ In the event of serious operating problem, stop using the unit immediately. Never try to repair the unit by yourself. Repairs carried out by unskilled people can lead to damage or malfunction. Please contact the nearest authorized technical assistance center. Always use the same type spare parts.
- ☒ DO NOT touch any wire during operation as high voltage might be causing electric shock.

Warning:

- ☒ To prevent or reduce the risk of electrical shock or fire, do not expose the unit to rain or moisture.
- ☒ DO NOT open the unit within five minutes after switching off.
- ☒ The housing, the lenses, or the ultraviolet filter must be replaced if they are visibly damaged.

Caution:

There are no user serviceable parts inside the unit. DO NOT open the housing or attempt any repairs yourself. In the unlikely event your unit may require service, please contact your nearest dealer.

Installation:

The unit should be mounted via its screw holes on the bracket. Always ensure that the unit is firmly fixed to avoid vibration and slipping while operating. And make sure that the structure to which you are attaching the unit is secure and is able to support a weight of 10 times of the unit's weight. Also always use a safety cable that can hold 12 times of the weight of the unit when installing the fixture.

The equipment must be fixed by professionals. And it must be fixed at a place where is out of the touch of people.

2. Technical Specifications

Light Sources: 6x 15W 4in1 RGBW LED

Beam Angle: 6.5°

Power Consumption: 100W

Power Voltage: AC 100-240V, 50/60Hz

Dimension: 21*19*32cm,PACK:315*580*395MM(2p)

Net Weight: 4.5Kgs

Gross Weight: 5Kgs

Control

DMX Channel: 15 Channel

Control Modes: DMX512,

Pan/Tilt

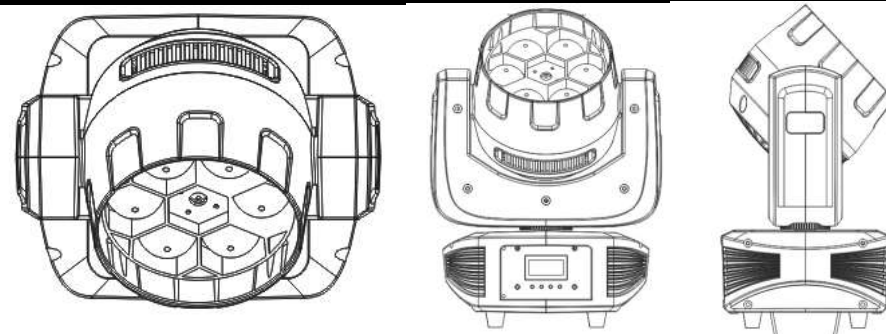
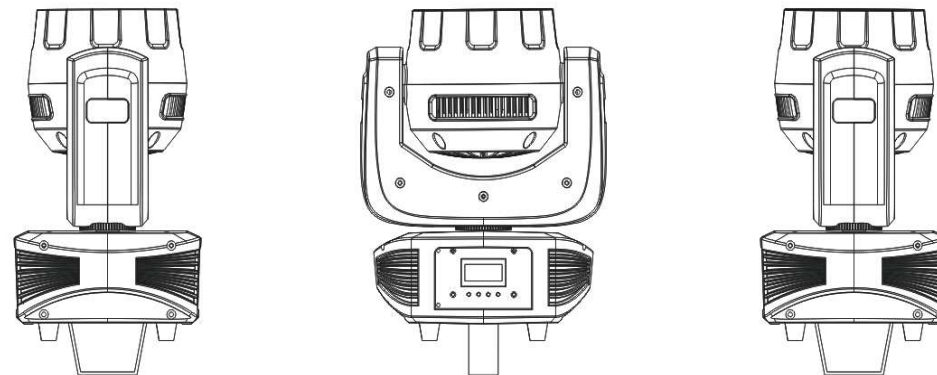
Pan/Tilt: 540°/ 270°

Pan/Tilt Resolution: 16 bit

Construction

Display: LCD Display

4. shape



5. Trouble shooting

Following are a few common problems that may occur during operation. Here are some suggestions for easy troubleshooting:

A. The unit does not work, no light and the fan does not work

1. Check the connection of power and main fuse.
2. Measure the mains voltage on the main connector.

10		<u>Red LED -all arrays :</u>
	0-255	Red (0-Black , 255-100% Red)
11		<u>Green LED-all arrays :</u>
	0-255	Green (0-Black , 255-100% Green)
12		<u>Blue LED -all arrays :</u>
	0-255	Blue (0-Black , 255-100% Blue)
13		<u>White LED -all arrays :</u>
	0-255	White (0-Black , 255-100% White)
14		<u>Rainbow:</u>
	0-4	No function
	5-29	R
	30-54	G
	55-79	B
	80-104	W
	105-129	Rainbow colours
	130-154	Rainbow colours
	155-174	Rainbow colours
	175-179	Rainbow colours
	180-184	Rainbow colours
	185-189	Rainbow colours
190-210	Rainbow colours	
211-255	Crossfading colours from slow to fast	
15		<u>Lamp on/off, reset, internal programs:</u>
	0-79	Normal
	80-99	All motor reset
	100-255	Normal

Data In/Out socket: 3-pin & 5-pin XLR sockets

Power Socket: Powercon in/out

Protection Rating: IP20

Features

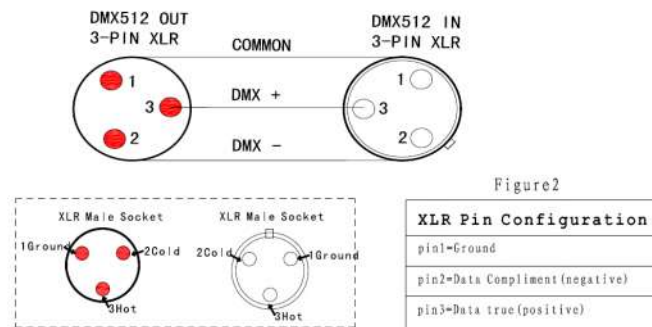
Dimmer: 0~100% smooth dimming

Fast, quiet operation and flicker free

3. How To Control The Unit

The DMX512 is widely used in intelligent lighting control,with a DMX 512 controller.connect several lights together,dmx in and dmx out,

3 pin XLR connectors: Pin 1: GND, Pin 2: Negative signal (-), Pin 3: Positive signal (+)



Display:

- MENU To select the programming functions
- DOWN To go backward in the selected functions
- uP To go forward in the selected functions
- ENTER To confirm the selected functions

Set DMX Address Code

- 1 Press "Menu" to "Set DMX Address",and press"ENTER" keys to enter into
- 2 Show "Set DMX Address DMX Address:001",Press the "UP and DOWN"

keys to amended

3 Press "ENTER"keys to save and Exit,Press the"MENU"Keys does not save and Exit

function	Address	Address001~XXX		Change address
	CH Value	PAN.....		Show each channel value
	Set to Slave	Slave		Slave receive position select
	Auto program	Master-Auto / Alone-Auto		auto run mode
	Music control	Master-Music / Alone-Music		Sound auto run
inform	Temp Inf	Head Temperature	XXX°C/°F	current temperature
	Soft Inf	VX.X.X...		software version
Person	Status	Pan Rev	ON/OFF	Pan scan opposition
		Tilt Rev	ON/OFF	title scan opposition
	P-Degree	540/360	scan angle select	
	M Speed	Speed 1~ 2	scan mode select	
	Mic Sens	0~99%(70)	mic sensitivity	
	Temp C/F	C/F		reload the default parameter
	Reset Default	ON/OFF		Re-load all delivery parameter
Reset	Reset All			Reset the light
Adjust	CaliT CH	Password	Password=XXX	channels' data calibrate code :050
		PAN	PAN=XXX	PAN channel data calibrate
		TILT	TILT	TILT channel data calibrate

DMX channel's functions and values (15 DMX channels):

Mode/ Channel	Value	Function
Standard		
1		PAN Movement 8bit :
	0-255	Pan Movement
2		Pan Fine 16bit
	0-255	Fine control of Pan movement
3		TILT Movement 8bit :
	0-255	Tilt Movement
4		Tilt Fine 16bit
	0-255	Fine control of Tilt movement
5		Speed Pan/Tilt movement:
	0-225	max to min speed
	226-255	no function
6		STORBE
	0-255	
7		Dimmer intensity:
	0-255	Intensity 0 to 100%
8		Dimmer Mode:
	0-49	Dimmer1
	50-99	Dimmer2
	100-149	Dimmer3
	150-255	Dimmer4
9		Zoom Rotation:
	0-127	0-60 degree
	128-190	Zoom Rotation Reverse max to min speed
	191-192	Zoom Rotation Stop
	193-255	Zoom Rotation Forward min to max speed