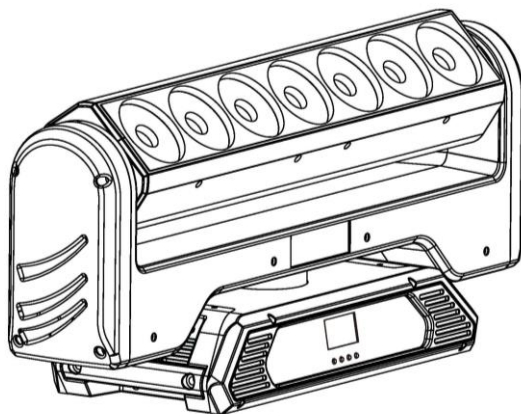


Pixel Beam K7

7x15W 4IN1 Infinity Rotation LED Pixel Bar



This product manual contains important information about the safe installation and use of this projector. Please read and follow these instructions carefully and keep this manual in a safe place for future reference.

User manual

Please read the instructions carefully before use

TABLE OF CONTENTS

- 1.Safety Instruction 2
- 2.Technical Specification 4
- 3.How to Control The Devicee 5
- 4.Diagram 12
- 5.Trouble Shooting 13
- 6.Fixture Cleaning 14

STATEMENT

The product has well capability and intact packing when leave factory. All of the user should comply with warning item and manual, any misuse cause of the damages are not included in our guarantee, and also can not be responsible for any malfunction & problem owing to ignore the manual.

1.Safety Instruction

Please keep this User Guide for future consultation. If you sell the unit to another user, be sure that they also receive this instruction booklet.

Unpack and check carefully there is no transportation damage before using the unit.

Before operating, ensure that the voltage and frequency of power supply match the power requirements of the unit.

It's important to ground the yellow/green conductor to earth in order to avoid electric shock.

The unit is for indoor use only. Use only in a dry location.

The unit must be installed in a location with adequate ventilation, at least 50cm from adjacent surfaces. Be sure that no ventilation slots are blocked.

Disconnect main power before replacement or servicing.

Make sure there are no flammable materials close to the unit while operating as it is fire hazard.

Use safety cable when fixes this unit. DO NOT handle the unit by taking its head only, but always by taking its base.

Maximum ambient temperature is T_a : 40°C. DO NOT operate it where the temperature is higher than this Unit surface temperature may reach up to 85°C. DO NOT touch the housing bare-hand during its operation. Turn off the power and allow about 15 minutes for the unit to cool down before replacing or serving.

In the event of serious operating problem, stop using the unit immediately. Never try to repair the unit by yourself. Repairs carried out by unskilled people can lead to damage or malfunction. Please contact the nearest authorized technical assistance center. Always use the same type spare parts.

DO NOT touch any wire during operation as high voltage might be causing electric shock.

WARNING:

To prevent or reduce the risk of electrical shock or fire, do not expose the unit to rain or moisture.

DO NOT open the unit within five minutes after switching off.

The housing, the lenses, or the ultraviolet filter must be replaced if they are visibly damaged.

CAUTION:

There are no user serviceable parts inside the unit. DO NOT open the housing or attempt any repairs yourself. In the unlikely event your unit may require service, please contact your nearest dealer.

INSTALLATION:

The unit should be mounted via its screw holes on the bracket. Always ensure that the unit is firmly fixed to avoid vibration and slipping while operating. And make sure that the structure to which you are attaching the unit is secure and is able to support a weight of 10 times of the unit's weight. Also always use a safety cable that can hold 12 times of the weight of the unit when installing the fixture. The equipment must be fixed by professionals. And it must be fixed at a place where is out of the touch of people.

2. Technical Specification

Power Voltage: AC 100-240V, 50/60Hz

Power Consumption: 120W

Light Sources: 7 Multi-chip 4in1 RGBW 15 Watt LED sources

Beam Angle: 4°

Control

DMX Channel: 12/15/39 Channel

Control Modes: DMX512, Auto, Master-Slave, Music

Pan/Tilt

Continuous PAN and TILT rotation

Pan/Tilt Resolution: 16 bit

Construction

Display: LCD Display

DMX In/Out socket: 3-pin XLR sockets

Power Socket: Powercon in

Protection Rating: IP20

Features

85% optic efficiency

High-efficiency 67 mm PMMA optics

Continuous PAN and TILT rotation

Flicker free sources management, suitable for TV applications and all video

High-resolution stepper motors operated via microprocessors ensure extreme accuracy and smooth movements.

Variable strobe effects

Size

Dimension: 58*17*25cm

Packing Size:640*320*245MM

Weight

Net Weight: 9Kgs

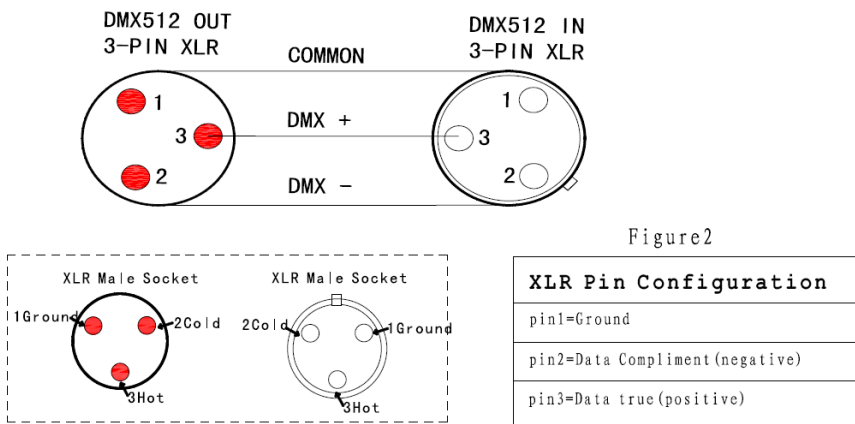
Gross Weight: 11Kgs

3.How to Control The Device

The DMX512 is widely used in intelligent lighting control,with a DMX 512

controller.connect several lights together,dmx in and dmx out, 3 pin XLR

connectors: Pin 1: GND, Pin 2: Negative signal (-), Pin 3: Positive signal (+)



Display:

MENU	To select the programming functions
DOWN	To go backward in the selected functions
UP	To go forward in the selected functions
ENTER	To confirm the selected functions

Set DMX Address Code

1. Press "**Menu**" to "Set DMX Address", and press "**ENTER**" keys to enter into
2. Show "Set DMX Address DMX Address:001", Press the "**UP** and **DOWN**" keys to amended
3. Press "**ENTER**" keys to save and Exit, Press the "**MENU**" Keys does not save and Exit

Address	Address=001		
Reset	Reset=NO		
	Reset=YES		
Manual	Manual Pan	Pan =000	
	Manual Tilt	Tilt =000	
	Manual Red	Red =000	
	Manual Green	Green =000	
	Manual Blue	Blue =000	
	Manual White	White =000	
	Manual Strobe	Strobe =000	
Mode	12CH DMX Basic		
	15CH DMX		

	Stand		
	39CH DMX Extend		
	Auto Alone		
	Auto Master		
	Music Alone		
	Music Master		
Option	Option Display	Display DelayOff	
		Option Always	
	Option Lost DMX	Lost DMX =Clear	
		Lost DMX =Hold	
Advanced	Advanced Code	Code =000	Password =008
	Advanced Adjust	Adjust Pan	Pan =+000
		Adjust Tilt	Tilt =+000
	Advanced Mic Sens	Mic Sens =080%	
View	View Hours	Hours =0000H	Reset H =NO
			Reset H =YES

	View DmxValue	CH=001 DMX=000	
	View Version	=1.00F YYYY.MM	
Default	Load Def =NO		
	Load Def =YES		

12/15/39 DMX channels mode:

Mode/Channel			Value	Function
Base	Standard	Extend		
1	1	1		<u>PAN Movement 8bit :</u>
			0-255	Pan Movement
*	2	2		<u>Pan Fine 16bit :</u>
			0-255	Fine control of Pan movement
2	3	3		<u>TILT Movement 8bit :</u>
			0-255	Tilt Movement
*	4	4		<u>Tilt Fine 16bit :</u>
			0-255	Fine control of Tilt movement
*	5	5		<u>Speed Pan/Tilt movement :</u>
			0-255	Speed fast to slow
3	6	6		<u>Pan Continue Rotation :</u>
			0-9	No Function
			10-129	Forward fast to slow
			130-135	Stop
			136-255	Backward slow to fast
4	7	7		<u>Tilt Continue Rotation :</u>

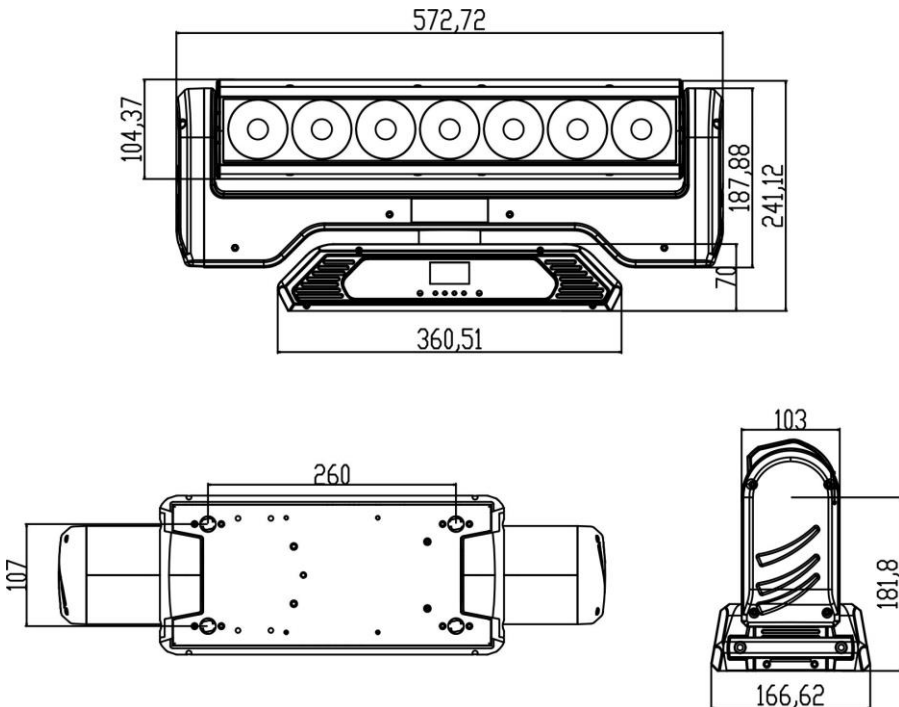
			0-9	No Function
			10-129	Forward fast to slow
			130-135	Stop
			136-255	Backward slow to fast
5	8	8		<u>Dimmer :</u>
			0-9	Closed
			10-255	Dimmer from 0%~100%
6	9	9		<u>Strobe :</u>
			0-31	Closed
			32-63	Open
			64-95	Strobe from slow to fast
			96-127	Open
			128-159	Raiden strobe from slow to fast
			160-191	Open
			192-223	Random strobe from slow to fast
224-255	Open			
7	10	10		<u>LED Macro :</u>
			0-9	No Function
			10-75	Static macro
			76-95	Dynamic macro 1 from slow to fast
			96-115	Dynamic macro 2 from slow to fast
			116-135	Dynamic macro 3 from slow to fast
			136-155	Dynamic macro 4 from slow to fast
			156-175	Dynamic macro 5 from slow to fast
			176-195	Dynamic macro 6 from slow to fast
			196-215	Dynamic macro 7 from slow to fast
			216-235	Dynamic macro 8 from slow to fast
136-255	Dynamic macro all from slow to fast			
8	11	11		All Red : [LED Macro Valid]
			0-255	Red Color (0%~100%)

9	12	12		All Green : [LED Macro Valid]
			0-255	Green Color (0%~100%)
10	13	13		All Blue : [LED Macro Valid]
			0-255	Blue Color (0%~100%)
11	14	14		All White : [LED Macro Valid]
			0-255	White Color (0%~100%)
*	*	11		Red LED-array 1: [CH10 Invalid]
			0-255	Red Color (0%~100%)
*	*	12		Green LED-array 1: [CH10 Invalid]
			0-255	Green Color (0%~100%)
*	*	13		Blue LED-array 1: [CH10 Invalid]
			0-255	Blue Color (0%~100%)
*	*	14		White LED-array 1: [CH10 Invalid]
			0-255	White Color (0%~100%)
*	*	15		Red LED - array 2 :
			0-255	Red Color (0%~100%)
*	*	16		Green LED - array 2 :
			0-255	Green Color (0%~100%)
*	*	17		Blue LED - array 2 :
			0-255	Blue Color (0%~100%)
*	*	18		White LED - array 2 :
			0-255	White Color (0%~100%)
*	*	19		Red LED - array 3 :
			0-255	Red Color (0%~100%)
*	*	20		Green LED - array 3 :
			0-255	Green Color (0%~100%)
*	*	21		Blue LED - array 3 :
			0-255	Blue Color (0%~100%)
*	*	22		White LED - array 3 :
			0-255	White Color (0%~100%)

*	*	23		<u>Red LED - array 4 :</u>
			0-255	Red Color (0%~100%)
*	*	24		<u>Green LED - array 4 :</u>
			0-255	Green Color (0%~100%)
*	*	25		<u>Blue LED - array 4 :</u>
			0-255	Blue Color (0%~100%)
*	*	26		<u>White LED - array 4 :</u>
			0-255	White Color (0%~100%)
*	*	27		<u>Red LED - array 5 :</u>
			*0-255	Red Color (0%~100%)
*	*	28		<u>Green LED - array 5 :</u>
			0-255	Green Color (0%~100%)
*	*	29		<u>Blue LED - array 5 :</u>
			0-255	Blue Color (0%~100%)
*	*	30		<u>White LED - array 5 :</u>
			0-255	White Color (0%~100%)
		31		<u>Red LED - array 6 :</u>
			0-255	Red Color (0%~100%)
		32		<u>Green LED - array 6 :</u>
			0-255	Green Color (0%~100%)
		33		<u>Blue LED - array 6 :</u>
			0-255	Blue Color (0%~100%)
		34		<u>White LED - array 6 :</u>
			0-255	White Color (0%~100%)
		35		<u>Red LED - array 7 :</u>
			0-255	Red Color (0%~100%)
		36		<u>Green LED - array 7 :</u>
			0-255	Green Color (0%~100%)
		37		<u>Blue LED - array 7 :</u>
			0-255	Blue Color (0%~100%)

		38		White LED - array 7 :
			0-255	White Color (0%~100%)
12	15	39		Function :
			0-24	No function
			25-49	Reset (5 second)
			50-74	No function
			75-99	No function
			100-124	No function
			125-149	No function
			150-174	Auto run
			175-255	Music Control

4. Diagram



5. Trouble Shooting

Following are a few common problems that may occur during operation. Here are some suggestions for easy troubleshooting:

a. The unit does not work, no light and the fan does not work

1. Check the connection of power and main fuse.
2. Measure the mains voltage on the main connector.
3. Check the power on LED.

b. Not responding to DMX controller

1. DMX LED should be on. If not, check DMX connectors, cables to see if link properly.
2. If the DMX LED is on and no response to the channel, check the address settings and DMX polarity.
3. If you have intermittent DMX signal problems, check the pins on connectors or on PCB of the unit or the previous one.
4. Try to use another DMX controller.
5. Check if the DMX cables run near or run alongside to high voltage cables that may cause damage or interference to DMX interface circuit.

c. One of the channels is not working well

1. The stepper motor might be damaged or the cable connected to the PCB is broken.
2. The motor's drive IC on the PCB might be out of condition.

6. Fixture Cleaning

The cleaning of internal and external optical lenses and/or mirrors must be carried out periodically to optimize light output. Cleaning frequency depends on the environment in which the fixture operates: damp, smoky or particularly dirty surrounding can cause greater accumulation of dirt on the unit's optics.

- **Clean with soft cloth using normal glass cleaning fluid.**
- **Always dry the parts carefully.**
- **Clean the external optics at least every 20 days. Clean the internal optics at least every 30/60 days.**