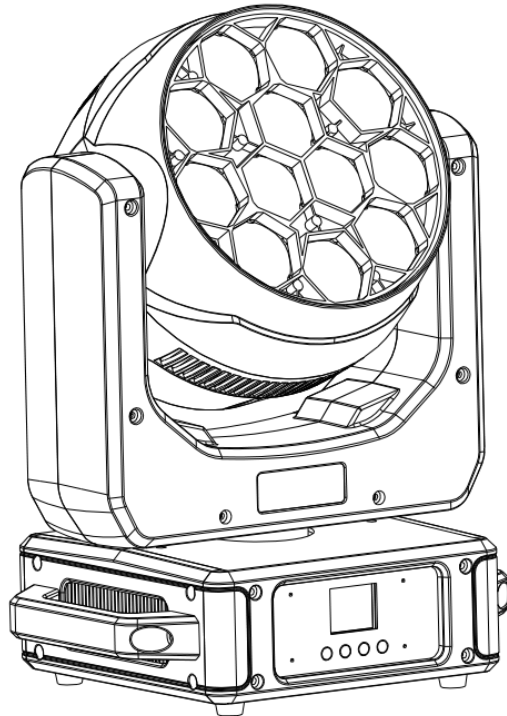


# Solar Wash M

**12x40w RGBW LEDs, Beam Wash 2-in-1**



User manual

Please read the instructions carefully before use

**TABLE OF CONTENTS**

1. Safety Instructions.....	2
2. Technical Specifications.....	4
3. How To Control The Unit.....	5
4. shape.....	13
5. Trouble shooting .....	13
6. Fixture Cleaning .....	14

## statement

The product has well capability and intact packing when leave factory. All of the user should comply with warning item and manual, any misuse cause of the damages are not included in our guarantee, and also can not be responsible for any malfunction & problem owing to ignore the manual.

## 1. Safety Instructions

Please keep this User Guide for future consultation. If you sell the unit to another user, be sure that they also receive this instruction booklet.

- ☒ Unpack and check carefully there is no transportation damage before using the unit.
- ☒ Before operating, ensure that the voltage and frequency of power supply match the power requirements of the unit.
- ☒ It's important to ground the yellow/green conductor to earth in order to avoid electric shock.
- ☒ The unit is for indoor use only. Use only in a dry location.
- ☒ The unit must be installed in a location with adequate ventilation, at least 50cm from adjacent surfaces. Be sure that no ventilation slots are blocked.
- ☒ Disconnect main power before replacement or servicing.

properly.

2. If the DMX LED is on and no response to the channel, check the address settings and DMX polarity.
3. If you have intermittent DMX signal problems, check the pins on connectors or on PCB of the unit or the previous one.
4. Try to use another DMX controller.
5. Check if the DMX cables run near or run alongside to high voltage cables that may cause damage or interference to DMX interface circuit.

### **C. One of the channels is not working well**

1. The stepper motor might be damaged or the cable connected to the PCB is broken.
2. The motor's drive IC on the PCB might be out of condition.

## **7. Fixture Cleaning**

The cleaning of internal and external optical lenses and/or mirrors must be carried out periodically to optimize light output. Cleaning frequency depends on the environment in which the fixture operates: damp, smoky or particularly dirty surrounding can cause greater accumulation of dirt on the unit's optics.

- **Clean with soft cloth using normal glass cleaning fluid.**
- **Always dry the parts carefully.**
- **Clean the external optics at least every 20 days. Clean the internal optics at least every 30/60 days.**

- ⚠ Make sure there are no flammable materials close to the unit while operating as it is fire hazard.
- ⚠ Use safety cable when fixes this unit. DO NOT handle the unit by taking its head only, but always by taking its base.

⚠ Maximum ambient temperature is  $T_a: 40^{\circ}\text{C}$ . DO NOT operate it where the temperature is higher than this Unit surface temperature may reach up to  $85^{\circ}\text{C}$ . DO NOT touch the housing bare-hand during its operation. Turn off the power and allow about 15 minutes for the unit to cool down before replacing or serving.

⚠ In the event of serious operating problem, stop using the unit immediately. Never try to repair the unit by yourself. Repairs carried out by unskilled people can lead to damage or malfunction. Please contact the nearest authorized technical assistance center. Always use the same type spare parts.

⚠ DO NOT touch any wire during operation as high voltage might be causing electric shock.

### **Warning:**

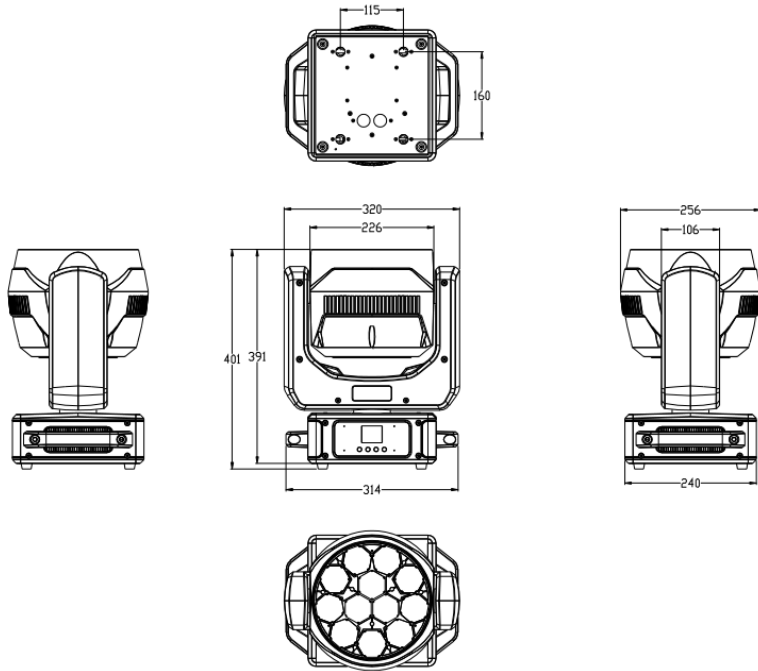
- ⚠ To prevent or reduce the risk of electrical shock or fire, do not expose the unit to rain or moisture.
- ⚠ DO NOT open the unit within five minutes after switching off.
- ⚠ The housing, the lenses, or the ultraviolet filter must be replaced if they are visibly damaged.

### **Caution:**

There are no user serviceable parts inside the unit. DO NOT open the housing or attempt any repairs yourself. In the unlikely event your unit may require service, please contact your nearest dealer.

## Installation:

The unit should be mounted via its screw holes on the bracket. Always ensure that the unit is firmly fixed to avoid vibration and slipping while operating.



unit is secure  
always use a  
installing the  
t a place

## Control

DMX Channel: 19/31 Channel

Control Modes: DMX512/master-Slave/Auto Run/Music

## Pan/Tilt

Pan/Tilt: 540° or 360° in optional / 270°

Pan/Tilt Resolution: 8/16 bit

One full route of pan finished time is 2.4 seconds

## Construction

Display: 180° reversible LCD colorful Display

Data In/Out socket: 3-pin & 5-pin XLR sockets

Power Socket: PowerCon in/out

Protection Rating: IP20

## 5. Shape

## 6. Trouble shooting

Following are a few common problems that may occur during operation. Here are some suggestions for easy troubleshooting:

### A. The unit does not work, no light and the fan does not work

1. Check the connection of power and main fuse.
2. Measure the mains voltage on the main connector.
3. Check the power on LED.

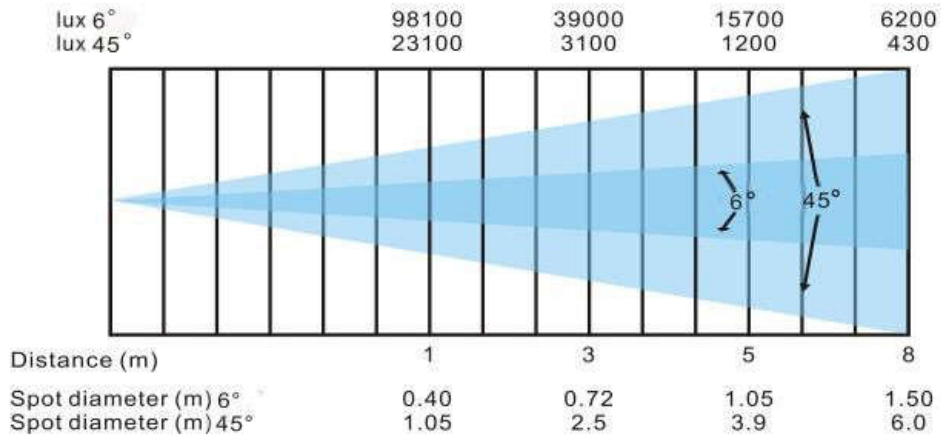
### B. Not responding to DMX controller

1. DMX LED should be on. If not, check DMX connectors, cables to see if link

28	40--59	Zone 2
	60--79	Zone 3
	80--99	Zone 4
	100--119	Zone 1+2+3
	120--139	Zone 1,2,3 rotate counterclockwise
	140--159	Zone 1,2,3 rotate clockwise
	160--179	change between zone 4 and zone 1+2+3
	180-255	keep zone 4 zone 1 2 3 counterclockwise

Min Zoom range =6°

Max Zoom range =45°



### Features

Motorized liner zoom system, zoom range: 6°~45°

Outstanding color macro effect

Dimmer: 0~100% smooth dimming

Variable strobe effects

Fast, quiet operation and flicker free

4 zones different control

### 3. Lux Date

### 4. How To Control The Unit

The DMX512 is widely used in intelligent lighting control,with a DMX 512 controller.connect several lights together,dmx in and dmx out,

3 pin XLR connectors: Pin 1: GND, Pin 2: Negative signal (-), Pin 3: Positive signal (+)

**Display:**

- MENU To select the programming functions
- DOWN To go backward in the selected functions
- UP To go forward in the selected functions
- ENTER To confirm the selected functions

**Set DMX Address Code**

- 1 Press "**Menu**" to "Set DMX Address",and press"**ENTER**" keys to enter into
- 2 Show "Set DMX Address DMX Address:001",Press the "**UP and DOWN**" keys to amended
- 3 Press "**ENTER**"keys to save and Exit,Press the"**MENU**"Keys does not save and Exit

1.Address	Set address code 001--512
2.Run Mode	1.DMX512

8	100--149	Mode 3								
	150--255	Mode 4								
9	DMX512 OUT 0--255	DMX512 IN ZOOM								
10	3-PIN XLR COMMON 0--255	3-PIN XLR R								
11	DMX + 0--255	G								
12	DMX - 0--255	B								
13	0--255	Figure 2								
14	XLR Male Socket 0--255 XLR Male Socket	<table border="1"> <thead> <tr> <th colspan="2">XLR Pin Configuration</th> </tr> </thead> <tbody> <tr> <td>pin1=Ground</td> <td>G</td> </tr> <tr> <td>pin2=Data Compliment (negative)</td> <td>B</td> </tr> <tr> <td>pin3=Data True (positive)</td> <td>W</td> </tr> </tbody> </table>	XLR Pin Configuration		pin1=Ground	G	pin2=Data Compliment (negative)	B	pin3=Data True (positive)	W
XLR Pin Configuration										
pin1=Ground	G									
pin2=Data Compliment (negative)	B									
pin3=Data True (positive)	W									
15	1 Ground 0--255 2 0--255 4 1 Ground									
16	3 Hot 0--255 4 Hot									
17	0--255	W								
18	0--255	R								
19	0--255	G								
20	0--255	B								
21	0--255	W								
22	0--255	R								
23	0--255	G								
24	0--255	B								
25	0--255	W								
26	0--16	No function								
	17--255	Rainbow								
27	0--49	No function								
	50--255	color auto run from fast to slow								
28	0--19	No function								
	20--39	Zone 1								

16	100--119	Zone 1+2+3
	120--139	Zone 1,2,3 rotate counterclockwise
	140--159	Zone 1,2,3 rotate clockwise
	160--179	change between zone 4 and zone 1+2+3
	180-255	keep zone 4,zone 1,2,3 counterclockwise
17	0--255	flexible figure speed from fast to slow
18	0--255	flexible figure gradual change from fast to slow
19	0-79	No function
	80--99	Reset
	100--255	No function

31 channels		
channel	value	Description
1	0--255	Pan
2	0--255	Pan fine-adjust
3	0--255	Tilt
4	0--255	Tily fine-adjust
5	0--255	Pan tilt speed
6	0--15	No function
	16--214	strobe from slow to fast
	215--255	random strobe
7	0--255	Dimming
8	0--49	Mode 1
	50--99	Mode 2

	2.AUTO		
	3.SOUND		
3.Reverse	1.Pan	1.Yes	reverse
	2.Tilt		
	3.Display	2.No	forward
4.Channel	1.31Channels		
	2.19Channels		
5.Pan Degree	1.540		
	2.360		
6.Mic Sense	001--100	sound control adjust sensitiveness	
7.Inform	1.CH Value		display all channel values
	2.Temp		display led board temperature
7.Inform	3.Soft v3.0		software version number
8.Reset	1..Yes		

	2.No	
9.Default	1.yes	
	2.No	
10.Adjust	Pass Word	UP+DOWN+UP+DOWN
	RGBW	0-255 Change the value to adjust brightness temperature
	1.Pan	Pan fine-adjust
	2.Tilt	Tilt fine-adjust
	3.Focus	Zoom fine-adjust
	4.Red	Change the value,adjust the white balance
	5.Green	
	6.Blue	
7.White		

**DMX channel's functions and values (19/31DMX channels):**

19 channels		
channel	value	Description
1	0--255	Pan
2	0--255	Pan fine-adjust

3	0--255	Tilt
4	0--255	Tilt fine-adjust
5	0--255	Pan tilt speed
6	0--15	No function
	16--214	strobe from slow to fast
	215--255	random strobe
7	0--255	Dimming
8	0--49	Mode 1
	50--99	Mode 2
	100--149	Mode 3
	150--255	Mode 4
9	0--255	zoom
10	0--255	R
11	0--255	G
12	0--255	B
13	0--255	W
14	0--16	No function
	17--255	Rainbow
15	0--49	No function
	50--255	color auto run from fast to slow
16	0--19	No function
	20--39	Zone 1
	40--59	Zone 2
	60--79	Zone 3
	80--99	Zone 4