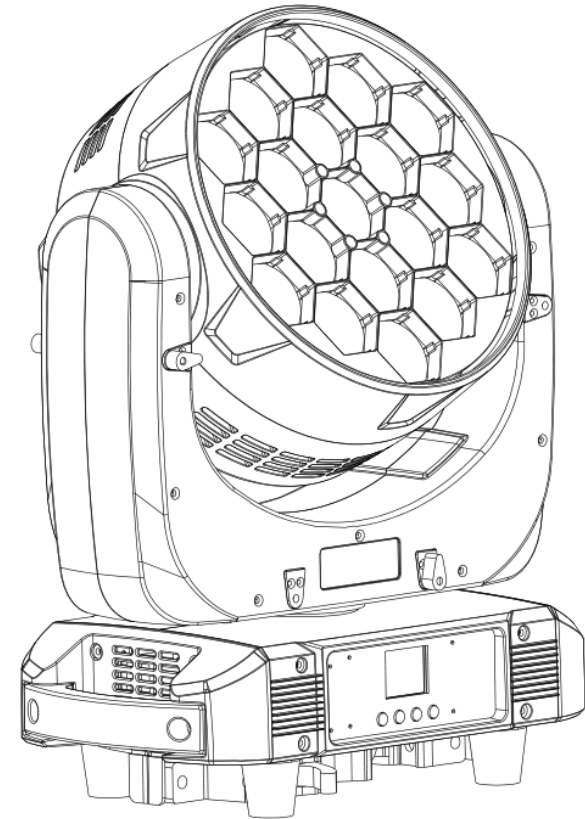


Solar Wash X

Beam Wash 2-in-1, 19x40w RGBW LEDs



User manual

Please read the instructions carefully before us

TABLE OF CONTENTS

1. Safety Instructions	1 - 3
2. Technical Specifications.....	5
3. How To Control The Unit.....	6-9
4. DMX Channel List.....	9- 16
5. Shape.....	17
6.Trouble shooting.....	18
7.Fixture Cleaning.....	19

statement

The product has well capability and intact packing when leave factory. All of the user should comply with warning item and manual, any misuse cause of the damages are not included in our guarantee, and also can not be responsible for any malfunction & problem owing to ignore the manual.

8. Fixture Cleaning

The cleaning of internal and external optical lenses and/or mirrors must be carried out periodically to optimize light output. Cleaning frequency depends on the environment in which the fixture operates: damp, smoky or particularly dirty surrounding can cause greater accumulation of dirt on the unit's optics.

- **Clean with soft cloth using normal glass cleaning fluid.**
- **Always dry the parts carefully.**
- **Clean the external optics at least every 20 days. Clean the internal optics at least every 30/60 days.**

7. Trouble shooting

Following are a few common problems that may occur during operation. Here are some suggestions for easy troubleshooting:

A. The unit does not work, no light and the fan does not work

1. Check the connection of power and main fuse.
2. Measure the mains voltage on the main connector.
3. Check the power on LED.

B. Not responding to DMX controller

1. DMX LED should be on. If not, check DMX connectors, cables to see if link properly.
2. If the DMX LED is on and no response to the channel, check the address settings and DMX polarity.
3. If you have intermittent DMX signal problems, check the pins on connectors or on PCB of the unit or the previous one.
4. Try to use another DMX controller.
5. Check if the DMX cables run near or run alongside to high voltage cables that may cause damage or interference to DMX interface circuit.

C. One of the channels is not working well

1. The stepper motor might be damaged or the cable connected to the PCB is broken.
2. The motor's drive IC on the PCB might be out of condition.

1. Safety Instructions

Please keep this User Guide for future consultation. If you sell the unit to another user, be sure that they also receive this instruction booklet.

Unpack and check carefully there is no transportation damage before using the unit.

Before operating, ensure that the voltage and frequency of power supply match the power requirements of the unit.

It's important to ground the yellow/green conductor to earth in order to avoid electric shock.

The unit is for indoor use only. Use only in a dry location.

The unit must be installed in a location with adequate ventilation, at least 50cm from adjacent surfaces. Be sure that no ventilation slots are blocked.

Disconnect main power before replacement or servicing.

Make sure there are no flammable materials close to the unit while operating as it is fire hazard.

Use safety cable when fixes this unit. DO NOT handle the unit by taking its head only, but always by taking its base.

Maximum ambient temperature is T_a : 40°C. DO NOT operate it where the temperature is higher than this Unit surface temperature may reach up to 85°C. DO NOT touch the housing bare-hand during its operation. Turn off the power and allow about 15 minutes for the unit to cool down before replacing or serving.

the event of serious operating problem, stop using the unit immediately. Never try to repair the unit by yourself. Repairs carried out by unskilled people can lead to damage or malfunction. Please contact the nearest authorized technical assistance center. Always use the same type spare parts.

⚠ DO NOT touch any wire during operation as high voltage might be causing electric shock.

Warning:

⚠ To prevent or reduce the risk of electrical shock or fire, do not expose the unit to rain or moisture.

⚠ DO NOT open the unit within five minutes after switching off.

⚠ The housing, the lenses, or the ultraviolet filter must be replaced if they are visibly damaged.

Caution:

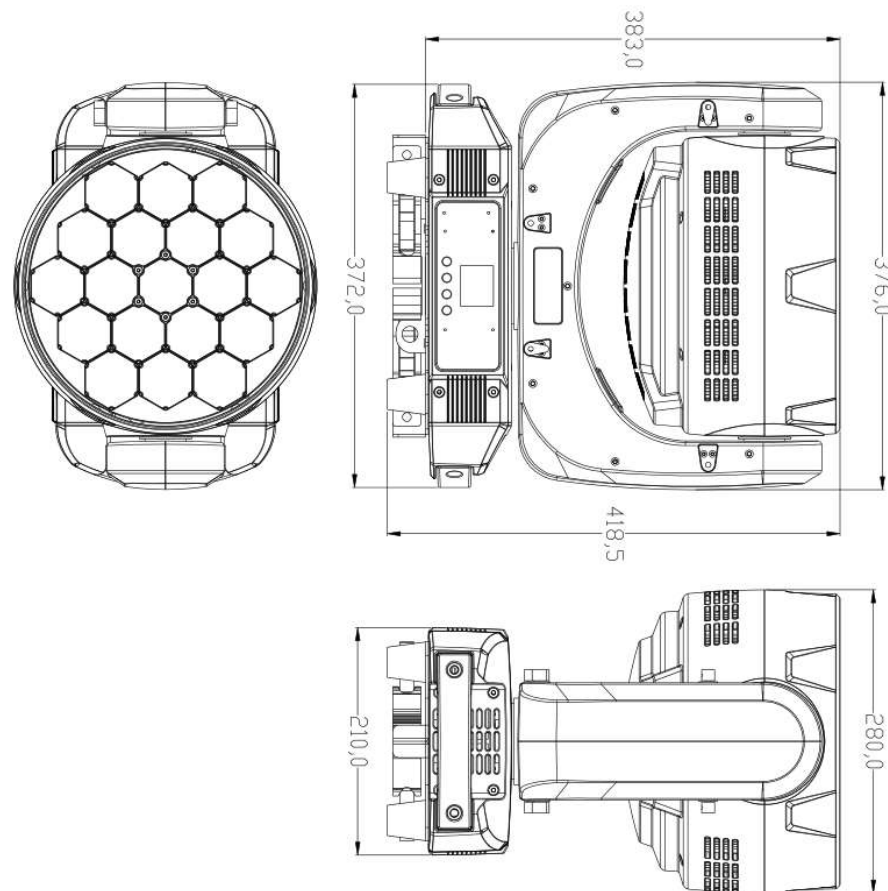
There are no user serviceable parts inside the unit. DO NOT open the housing or attempt any repairs yourself. In the unlikely event your unit may require service, please contact your nearest dealer.

Installation:

The unit should be mounted via its screw holes on the bracket. Always ensure that the unit is firmly fixed to avoid vibration and slipping while operating. And make sure that the structure to which you are attaching the unit is secure and is able to support a weight of 10 times of the unit's weight. Also always use a safety cable that can hold 12 times of the weight of the unit when installing the fixture.

The equipment must be fixed by professionals. And it must be fixed at a place where is out of the touch of people.

6. Shape



		Zone -10	200 --- 219
		Zone -11	220 --- 255
CH-25	Zone change speed	Zone 7 --- Zone 11	0 --- 255
CH-26	Zone change fade	Zone 7 --- Zone 11	0 --- 255
CH-27	Reset	No	0 --- 79
		Reset	80 --- 99
		No	100 --- 255

2. Technical Specifications

Light Sources: 19*40W 4IN1 RGBW LED

Average life span> 50000 hours

Beam Angle:7°- 50°

Glass light guide + PMMA high quality optical lens

Power Consumption: 750w

Power factor PF≥0.98

Power Voltage: AC 100-260V, 50/60Hz

Net Weight:16.5 kgs

Gross Weight: 19 Kgs

Working temperature: -10℃~45℃

Control

DMX Channel:19/27 Channels

Control Modes: DMX512/master-Slave/Auto Run/Music

Pan/Tilt

Pan : 540°/ 360° ,Tilt : 270°

Pan/Tilt Resolution: 8/16 bit

Construction

Display:180° reversible LCD Display

Data In/Out socket: 3-pin & 5-pin XLR sockets

Power Socket: Power Con in/out

Protection Rating: IP20

Features

Circle control effects, 3 circle control.

High-efficiency optical system ,wonderful flower effect plus zoom

Fan work speed auto adjustable with head temperature

4. How To Control The Unit



Menu Up Down Enter

Display:

MENU To select the programming functions
 DOWN To go backward in the selected functions
 UP To go forward in the selected functions
 ENTER To confirm the selected functions

Set DMX Address Code

- 1 Press **"Menu"** to "Set DMX Address",and press**"ENTER"** keys to enter into
- 2 Show "Set DMX Address DMX Address:**001**",Press the **"UP and DOWN"** keys to amended
- 3 Press **"ENTER"**keys to save and Exit,Press the**"MENU"**Keys does not save and Exit
- 4

		6000K	231----235
		6500K	236----240
		7000K	241----245
		7500K	246----250
		8000K	251----255
CH-23	Effects	No	0 --- 9
		3 numbers 1 effect	10 --- 99
		Jump	100 --- 149
		gradual change	150 --- 255
CH-24	Zone	No	0 --- 19
		Zone -1	20 --- 39
		Zone -2	40 --- 59
		Zone -3	60 --- 79
		Zone -4	80 --- 99
		Zone -5	100 --- 119
		Zone -6	120 --- 139
		Zone -7	140 --- 159
		Zone -8	160 --- 179
		Zone -9	180 --- 199

CH-21	White-3		
CH-22	Static color	No	0----15
		R 100%,G up,B0%	16----35
		R down,G 100%,B0%	36----55
		R 0%,G 100%,B up	56----75
		R 0%,G100%,B up	76----95
		R up,G0%,B100%	96----115
		R 100%,G0%,B down	116----135
		R 100%,G up,B up	136----155
		R100%,G down,B100%	156----175
		R100%,G 100%,B100%,W100%	176----195
		2800K	196----200
		3200K	201----205
		3500K	206----210
		4000K	211----215
		4500K	216----220
CH-22	Static color	5000K	221----225
		5500K	226----230

Menu	1.Pan Degree	1) 540 ° , 2)360°	X-axis running angle selection
	2.Mic Sense	001 - 100	Sound sensitivity adjustment
	3.Language	English	Chinese
	4.No Signal	1.Black Out 2.Hold	Set the state when the machine has no signal input
	5.Fan Set	1.Auto 2.Low 3.High	Set fan speed
	6.Reset	Yes	No
	7.Default	Yes	No
Menu	8.Adjust	Pass Word: up+down+up+down	
		Pan	0 - 255
	8.Adjust	Tilt	0 - 255
		Focus	0 - 255
		Red	0 - 255
		Green	0 - 255
		Blue	0 - 255
		White	0 - 255
Address	Setting from 001 - 512		
Reverse	Forward or reversed setting	Pan	1.Yes
			2.No
	Display	Tilt	1.Yes
			2.No

Information	1.CH Value	Each channel show CH value	
	2.Temp ____°C	Show the temperature of led board	
	3.Soft V1.0	Show the version number	
Channel	19 channels		
	27 channels		
Mode	DMX 512		
	AUTO		
	SOUND		
	Manual		
Manual	Master	Pan: 0--255	Manual Control
		Tilt:0--255	
		Focus:0--255	
		Rota:0-255	
		Red: 0--255	
	Alone	Greed: 0--255	
		Blue: 0--255	
		White: 0--255	
		Strobe: 0-255	

CH-6	Strobe	From slow to fast	16 --- 214
		Random strobe	215 --- 255
CH-7	Dimming	From dark to bright	0 --- 255
CH-8	Dimming Model	Model -1	0 --- 49
		Model -2	50 --- 99
		Model -3	100 --- 149
		Model -4	150 --- 255
CH-9	Focus	from near to far	0 --- 255
CH-10	Red-1	From dark to bright	0 --- 255
CH-11	Green-1		
CH-12	Blue-1		
CH-13	White-1		
CH-14	Red-2		
CH-15	Green-2		
CH-16	Blue-2		
CH-17	White-2		
CH-18	Red-3		
CH-19	Green-3		
CH-20	Blue-3		

		Zone -7	140 --- 159
		Zone-8	160 --- 179
		Zone -9	180 --- 199
		Zone -10	200 --- 219
		Zone -11	220 --- 255
CH-17	Zone change speed	Zone 7 --- Zone 11	0 --- 255
CH-18	Zone change fade	Zone 7 --- Zone 11	0 --- 255
CH-19	Reset	No	0 --- 79
		Reset	80 --- 99
		No	100 --- 255

Model 2 - CH27

Channel	Display	Function	Value
CH-1	Pan adjustment	Pan adjustment	0 --- 255
CH-2	Pan adjustment	Pan adjustment	0 --- 255
CH-3	Tilt adjustment	Tilt adjustment	0 --- 255
CH-4	Tilt adjustment	Tilt adjustment	0 --- 255
CH-5	Pan/Til speed	from fast to slow	0 --- 255
		No	0 --- 15

5.DMX Channel List

Model 1 - CH19

Channel	Display	Function	Value
CH-1	Pan adjustment	Pan adjustment	0 --- 255
CH-2	Pan adjustment	Pan adjustment	0 --- 255
CH-3	Tilt adjustment	Tilt adjustment	0 --- 255
CH-4	Tilt adjustment	Tilt adjustment	0 --- 255
CH-5	Pan/Til speed	from fast to slow	0 --- 255
CH-6	Strobe	No	0 --- 15
		From slow to fast	16 --- 214
		Random strobe	215 --- 255
CH-7	Dimming	From dark to bright	0 --- 255
CH-8	Dimming Model	Model -1	0 --- 49
		Model -2	50 --- 99
		Model -3	100 --- 149
		Model -4	150 --- 255
CH-9	Focus	from near to far	0 --- 255

CH-10	Red		0 --- 255
CH-11	Green	From dark to bright	0 --- 255
CH-12	Blue		0 --- 255
CH-13	White		0 --- 255
CH-14	Static color	No	0----15
		R 100%,G up,B0%	16----35
		R down,G 100%,B0%	36----55
		R 0%,G 100%,B up	56----75
		R 0%,G100%,B up	76----95
		R up,G0%,B100%	96----115
		R 100%,G0%,B down	116----135
		R 100%,G up,B up	136----155
		R100%,G down,B100%	156----175
		R100%,G 100%,B100%,W100%	176----195
		2800K	196----200
		3200K	201----205
		3500K	206----210
4000K	211----215		

CH-14	Static color	4500K	216----220
		5000K	221----225
		5500K	226----230
		6000K	231----235
		6500K	236----240
		7000K	241----245
		7500K	246----250
		8000K	251----255
CH-15	Effects	No	0 ---- 9
		3 numbers 1 effect	10 --- 99
		Jump	100 --- 149
CH-15	Effects	gradual change	150 --- 255
CH-16	Zone	No	0 --- 19
		Zone -1	20 --- 39
		Zone -2	40 --- 59
		Zone -3	60 --- 79
		Zone -4	80 --- 99
		Zone -5	100 --- 119
		Zone -6	120 --- 139